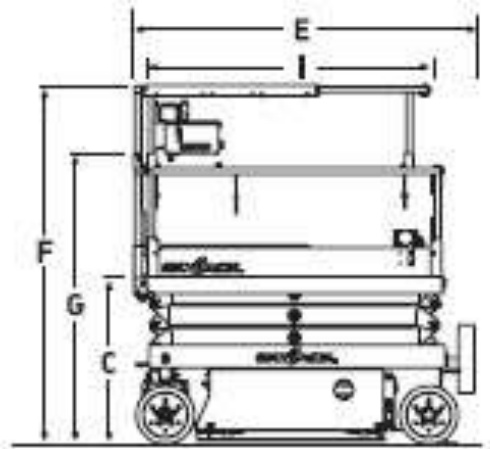
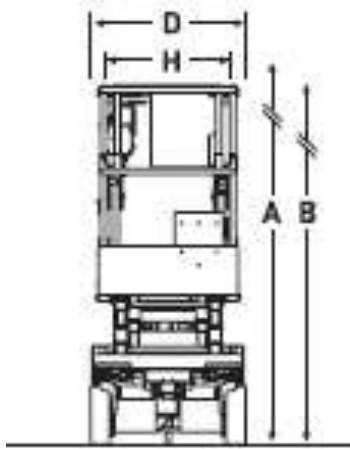


Aerial Work Platforms – Electric Scissor lifts



Push out extension

	Compact Series		Conventional Series				
	3015	3219	3220	3226	4620	4626	4832
D Width	30.5"	32"	32"	32"	46"	46"	48"
E Length	66.5"	68"	91.5"	91.5"	91"	91"	91.5"
F Height	74"	79"	77.5"	84.7"	77"	84.5"	92.5"
Stowed height rails up							
G Height		64.5"	63.5"	70.6"		70.5"	74"
Optional fold down rails							



Electric Scissor Lifts

Ref	Make	Model	Platform height	Platform Size**	Capacity	O/A Width	Stowed Height Rails on	Length	Platform Height Lowered	Weight	Day	Week	4 Week
15' - 20' Compact Series			Overall length approximately 6'										
Skyjack		3015	15'/21'	27.5" x 64"	500#	30.5"	78"	66.5"	34.5"	2270#	150	300	600
Skyjack		3219	19'/25'	27.5" x 64"	500#	32.5"	79"	68"	39"	2600#	150	300	600
20' Conventional Series			Overall length approximately 7.5'										
Skyjack		3220	20'/26'	28" x 80"	800#	32"	79.5"	89"	38"	3870#	150	300	600
Skyjack		4620	20'/26'	42" x 80"	1100#	46"	79.5"	89"	38"	3500#	150	300	600
26' Conventional Series													
Skyjack		3226	26'/32'	28" x 84"	500#	32"	86"	91.5"	45"	4700#	185	370	740
Skyjack		4626	26'/32'	42" x 80"	850#	46"	90"	89"	45"	4200#	185	370	740
Skyjack		6826	26'/32'	57" x 80"	1200#	68"	95"	99"	60"	5020#	185	370	740
30' - 32' Conventional Series													
Skyjack		4830	30'/36'	42" X 80"	700#	48"	94"	89"	51"	5600#	205	510	1020
Skyjack		4832	32'/38'	42" x 84"	700#	48"	92.5"	91.5"	48.5"	5600#	205	510	1020
32' Rough Terrain													
Skyjack		6832	32'/38'	60" x 82"	1000#	68"	99"	99"	66"	5820#	Price on request		

** 3 foot manual push out extension is standard on most electric scissor lifts

Please note: lift capacity may vary between models, check owner's manual on machine before using.

Other sizes available