

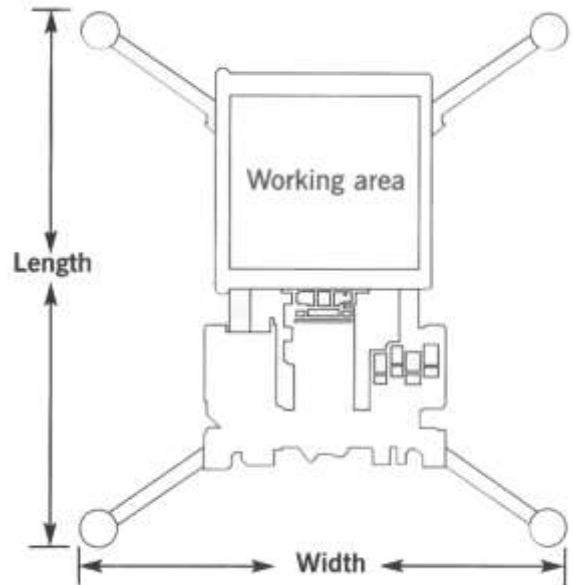
Lifts & Ladders



Personnel lift
SJPI 15



Material and Personnel lifts are designed to fit through standard doorways



Personnel lift

	Make	Model	Platform height	Platform size	Capacity	O/A Width	Length	Stowed height	Working Area	Weight	Day	Week	4 Week
	Genie	AWP20S	20'/26'	29" x 29"	300#	29"	46"	78"	69" x 61"	760#	95	230	570
	Genie	AWP25S	25'/31'	29" x 29"	300#	29"	48"	79"	83" x 75"	817#	105	260	640
2438	Genie	AWP30S	30'/36'	29" x 29"	300#	29"	52"	93"	97" x 89"	866#	125	310	775
	Genie	AWP36S	36'/42'	29" x 29"	300#	29"	52"	112"	117" x 110"	940#	135	325	800
2586	Skyjack	SJPI 15	15'/21'	24" x 28"	350#	29.5"	57.5"	79"	56.5" x 56.5"	866#	95	230	570