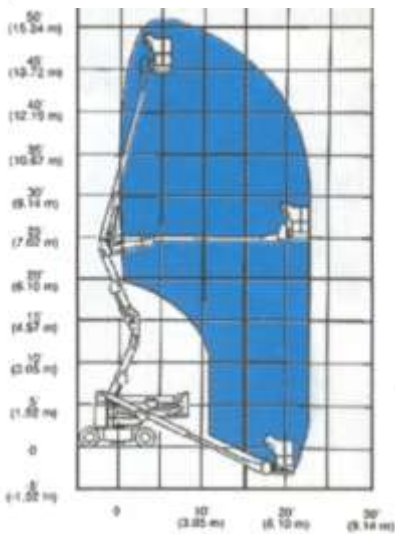


Aerial Work Platforms – Manlifts- Electric

45' Platform Machines



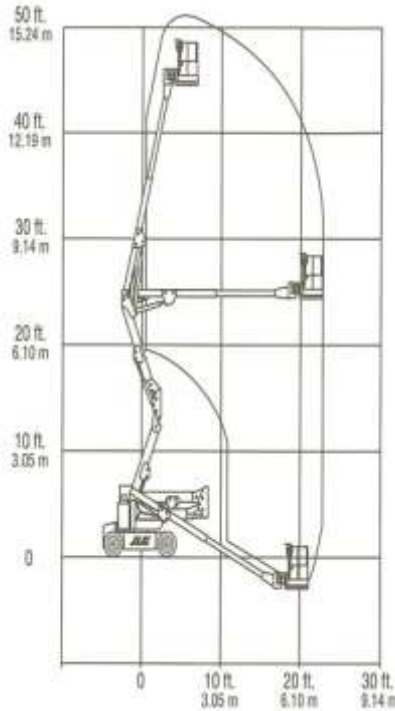
Z45/22 Genie 2269



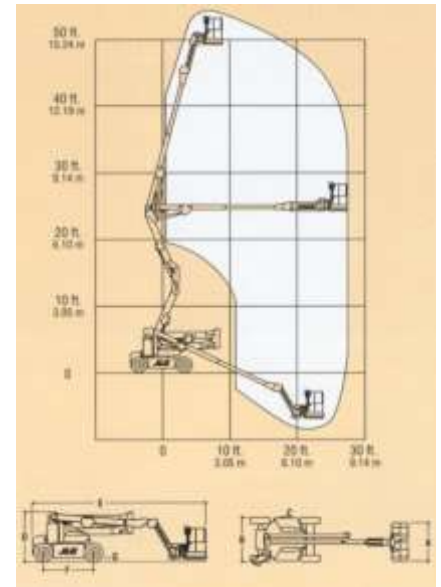
JLG 45E Manlift 2002



JLG 45E Manlift 2002



JLG E45AJ Manlift 2219 2526



Make	Model	Unit	Tires	Drive	Working Height	Capacity	Platform Size	Up & Over Clearance	Horizontal Reach	Width	Height Stowed	Length Stowed	Weight	Day	Week	4 Week
Genie	Z45/22	2269	Pneumatic	2WD	51'	500#	30" x 72"	21' 3"	23'	70"	6' 6"	17' 10"	13610#	400	800	2400
*	JLG	45E	2002	Pneumatic	2WD	51'	500#	30" x 72"	24'	22'	70"	18' 8"	12800#	400	800	2400

45' Platform Machines with Jib

JLG	E45AJ	2219	Pneumatic	2WD	51'	500#	30" x 60"	25' 3"	23' 9"	70"	6' 7"	21' 2"	14400#	400	800	2400
*	JLG	E450AJ	2526	Pneumatic	2WD	51'	500#	30" x 60"	25' 3"	23' 9"	70"	21' 2"	14400#	400	800	2400

* EE Rated machines

