

# Aerial Work Platforms – Manlifts- Propane

## 34' - 45' Platform Machines



**Z45/25J Manlift**  
 Diesel Gas  
 2373 2324  
 2418



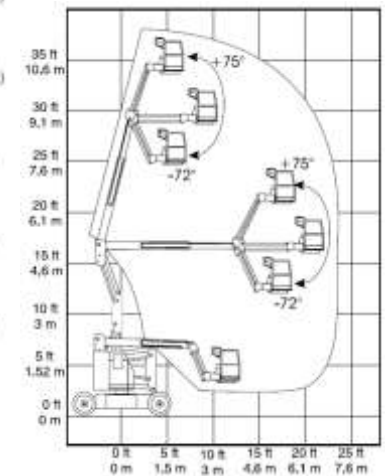
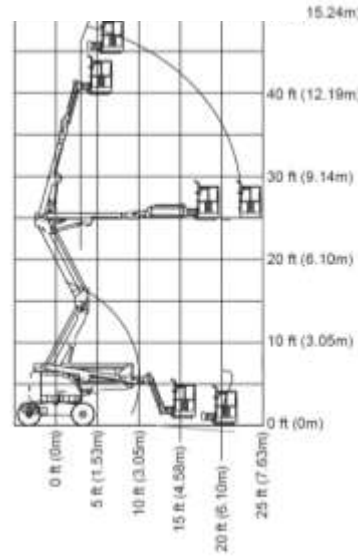
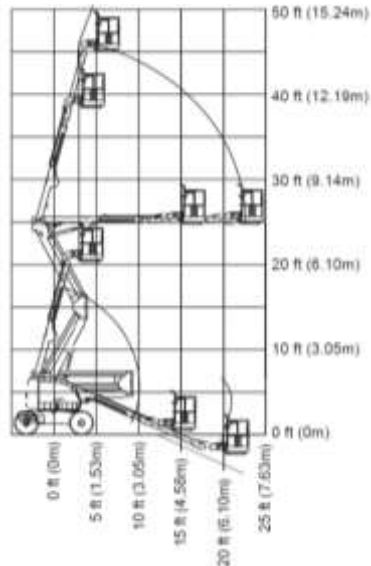
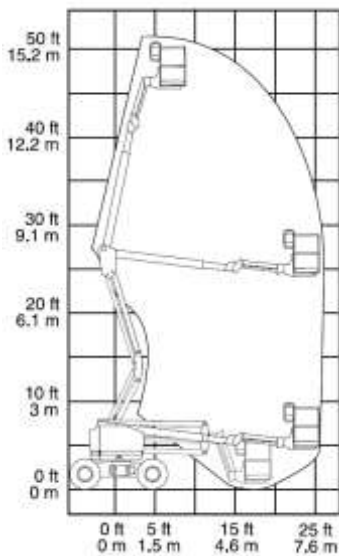
**JLG 450A Manlift**  
 Diesel Gas  
 2160 2435  
 2217 2436  
 2434



**JLG 450AJ Manlift**  
 Diesel #2433



**Genie 34/22 Diesel 2267**



Make	Model	Tires	Drive	Working Height	Capacity	Platform Size	Up & Over Clearance	Horizontal Reach	Width	Height Stowed	Length Stowed	Weight	Day	Week	4 Week
<b>34' Platform Machines</b>															
Genie	34/22	Pneumatic	4WD	40' 8"	500#	30" x 56"	15'	22' 4"	70"	6' 8"	18' 7"	10700#	400	800	2400
<b>45' Platform Machines</b>															
JLG	450A	Filled	4WD	51'	500#	30" x 72"	24' 3"	23' 9"	82"	7' 4"	20' 2"	14600#	400	800	2400
JLG	450AJ	Filled	4WD	51'	500#	30" x 72"	25' 2"	24' 6"	82"	7' 5"	24' 5"	16500#	400	800	2400
Genie	Z45/25J	Filled	4WD	51' 6"	500#	30" x 72"	23' 8"	25'	88"	6' 10"	22' 3"	14700#	400	800	2400

